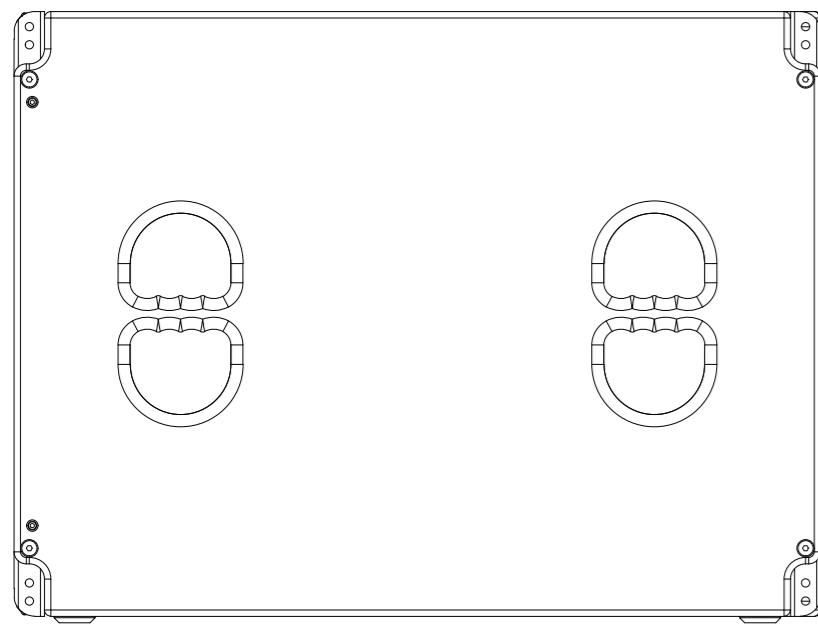
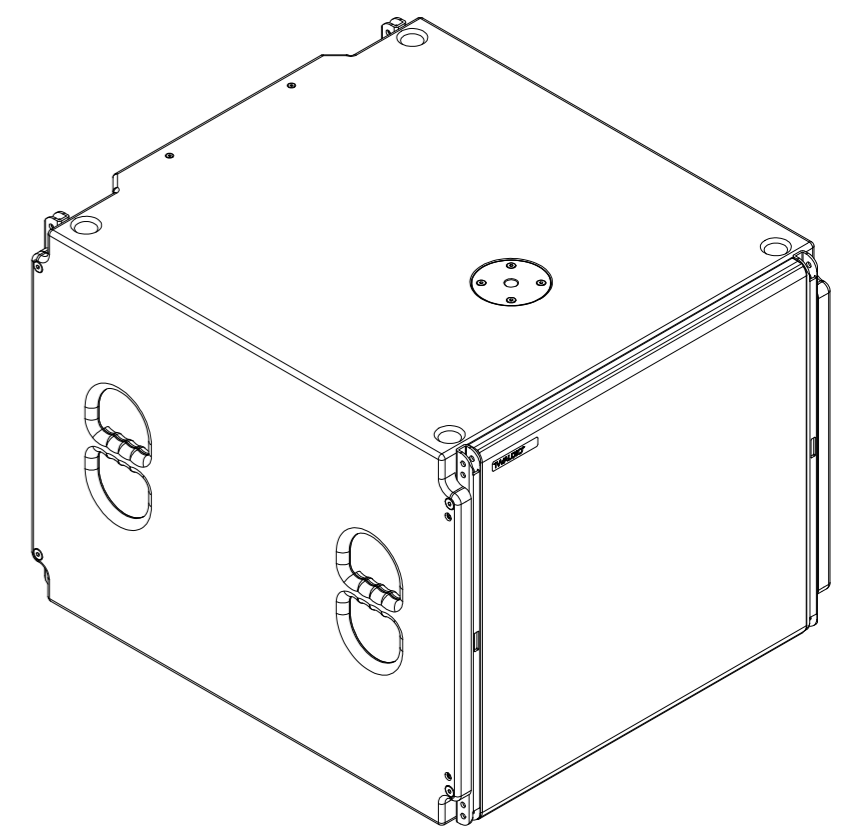
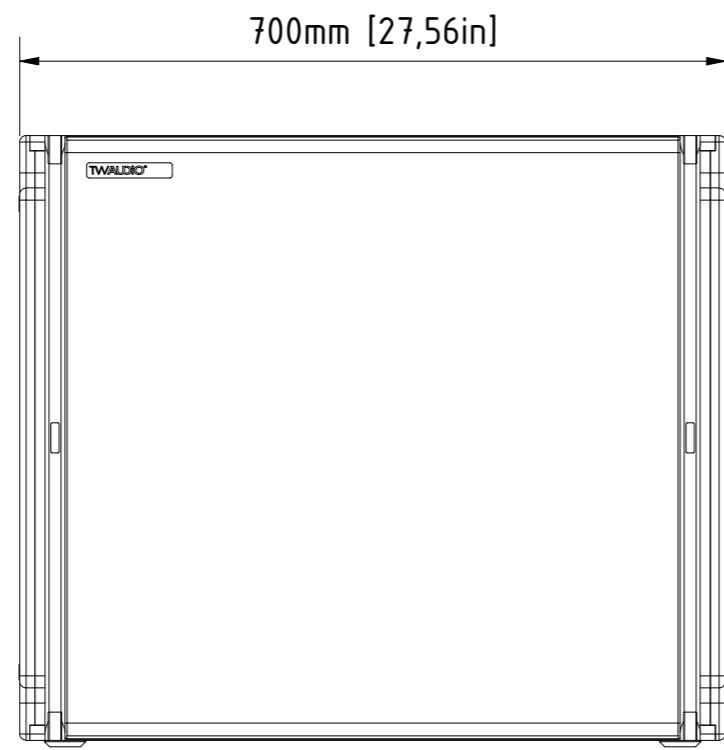


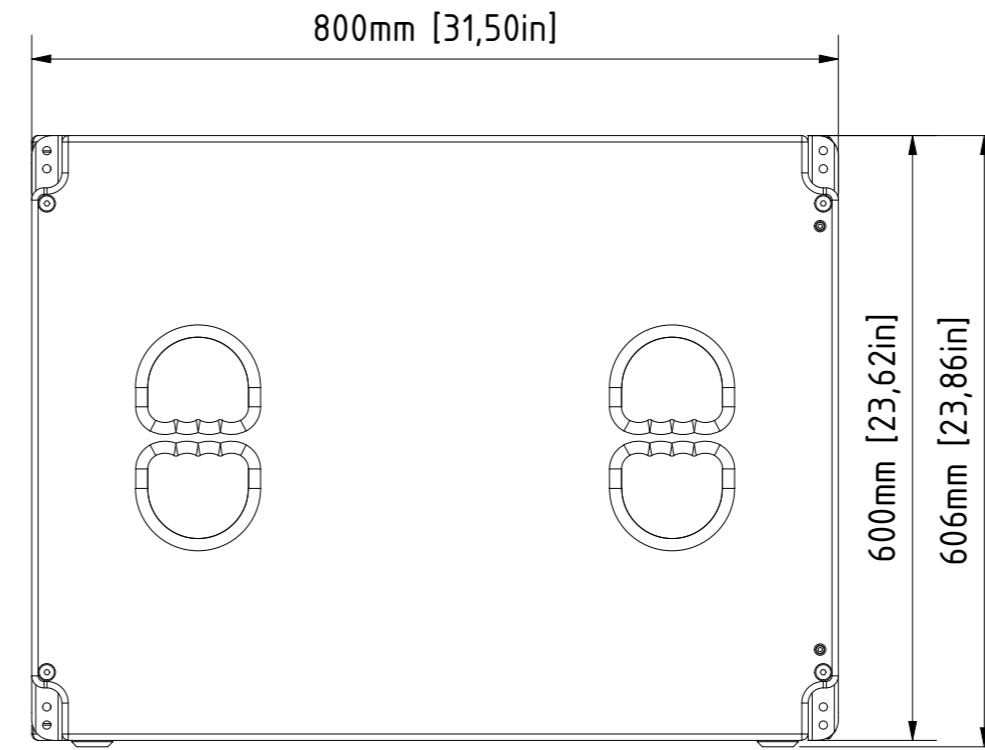
bottom view



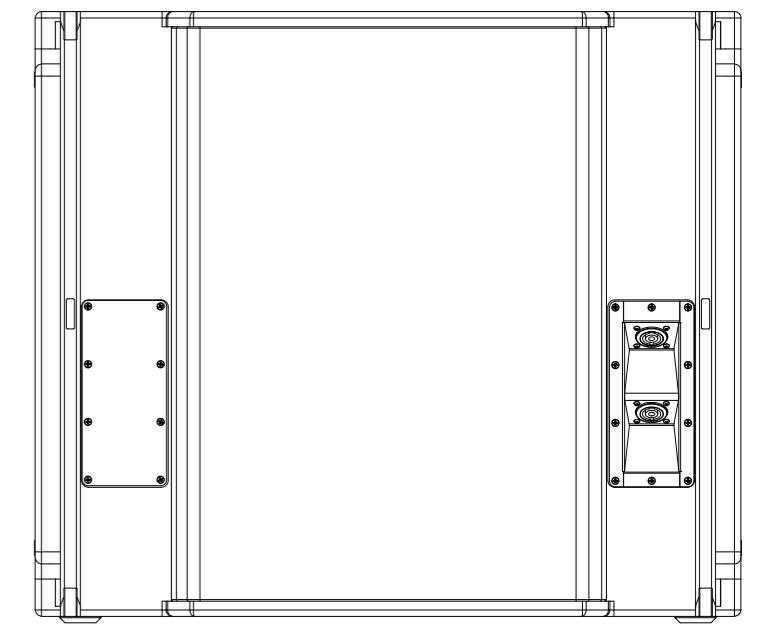
right view



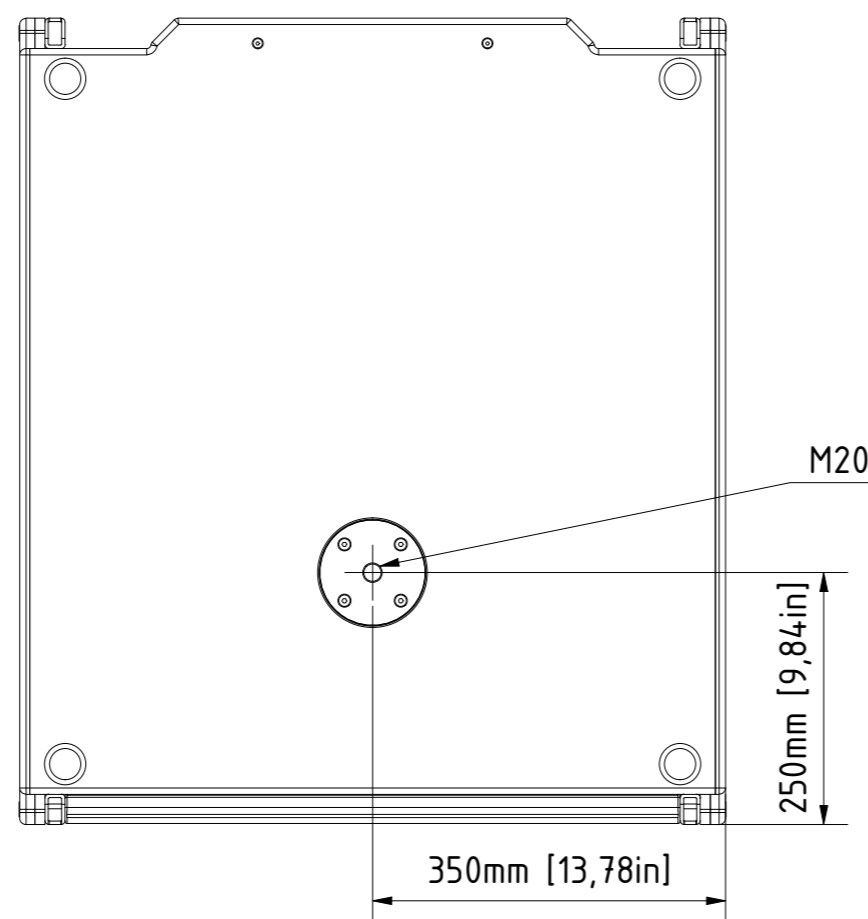
front view



left view



rear view



top view

0		07.05.2019	Heike Konrad
rev. no.		date	modified by
description		revision process	
TWAUDIO Osterholzallee 140-2 71636 Ludwigsburg www.twaudio.de		scale:	
All rights to this drawing reserved in accordance with ISO 16016. Copying and distribution by manufacturer's permission only.		weight:	66 kg [146 lbs]
general tolerance ISO 2768-mK ISO 13920-BF ISO 9013-IIA/K according to ISO 8015		document type:	overview drawing
edges according to ISO 13715 surfaces (Ra) array 2 array 3 DIN ISO 1302		status type:	released
		order number:	S33
		type:	Cardioid Subwoofer S33
		date	name
		constructed	01.03.2012 Stefan Ullrich
		drawn	31.10.2012 Stefan Ullrich
		checked:	
		approved	07.05.2019 Heike Konrad
		drawing number:	TWA-S33-0001
		revision no.:	0
		sheet:	1
		AZ:	Az